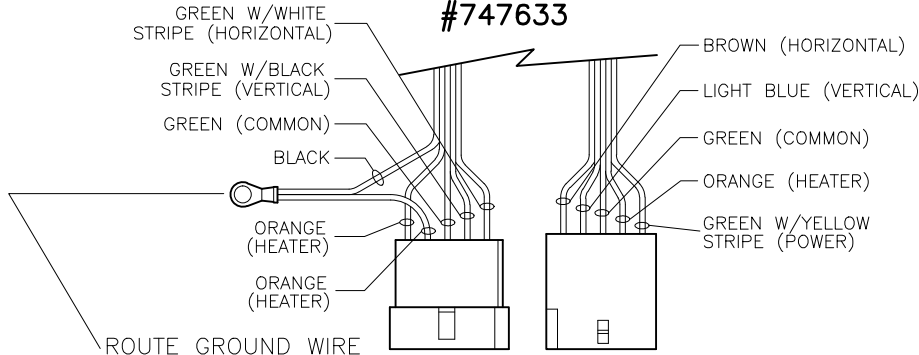


FUNCTIONAL REVISIONS:
ALL REVISIONS WITH SOLID
TRIANGLE ARE USABLE

REVISIONS		
▲ 09	02-22-13	SAS
▲	ECN #E20111	
▲	CHANGED COLORS ON PG 1 VIEW A-A & C-C	
	(4) WAS ORANGE	
	(5) WAS ORANGE	
	(3) WAS YELLOW	
▲	CHANGED COLORS ON PG 2 VIEW A-A & C-C	
	(1) WAS WHITE	
	(2) WAS BLACK	
	(3) WAS BROWN	
▲ 10	08-07-20	BD

WIRES FROM SWITCH PLATE #747633

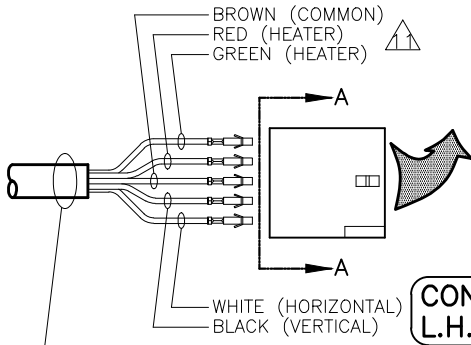


ITEMS NOT INCLUDED WITH ASSEMBLY
IGNITION +12VDC

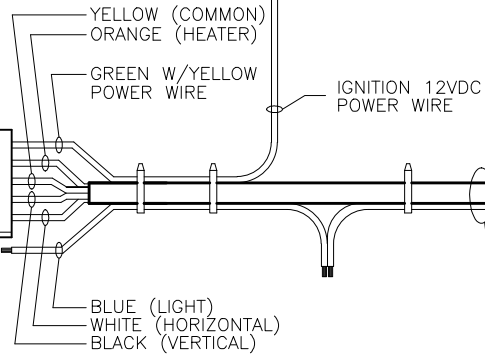
7.5 AMP FUSE

ROUTE GROUND WIRE THROUGH DOOR AND INTO CAB. SECURE WIRE INSIDE CAB.

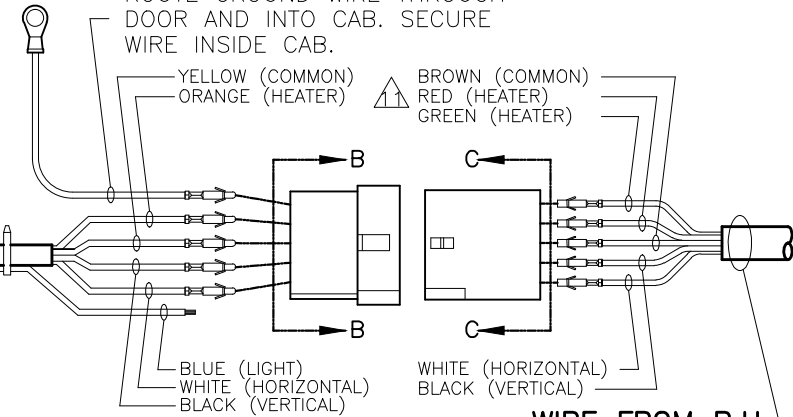
ROUTE GROUND WIRE THROUGH DOOR AND INTO CAB. SECURE WIRE INSIDE CAB.



CONNECTION INSIDE L.H. COVER PLATE

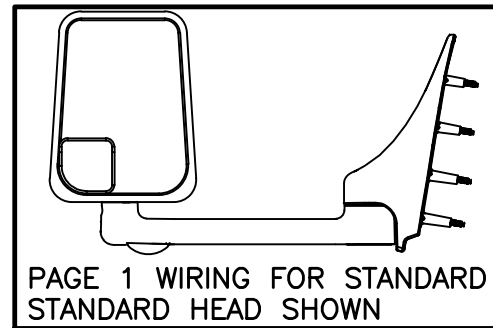


DOOR TO DOOR WIRE HARNESS #748304



WIRE FROM R.H. MIRROR HEAD HEATED/REMOTE

WIRE FROM L.H. MIRROR HEAD HEATED/REMOTE



PAGE 1 WIRING FOR STANDARD STANDARD HEAD SHOWN

PROPRIETARY

THIS CONCEPT & DRAWING IS THE PROPERTY OF VELVAC, INC. AND SHALL NOT BE REPRODUCED, COPIED, DISCLOSED, USED FOR THE MANUFACTURE OR PROCUREMENT FROM SOURCES OTHER THAN VELVAC INC., WITHOUT WRITTEN PERMISSION FROM VELVAC INC.



SCALE: X X X

DATE: 04-09-99

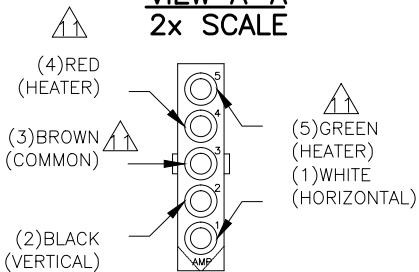
DRAWN BY: J.S.

WIRING INSTRUCTIONS
2020 MIRROR ASSY'S
FORD SUPER DUTY

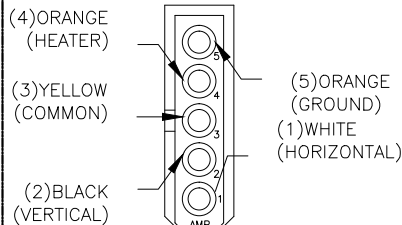
DRAWING NUMBER: PAGE 1 OF 2

7476332

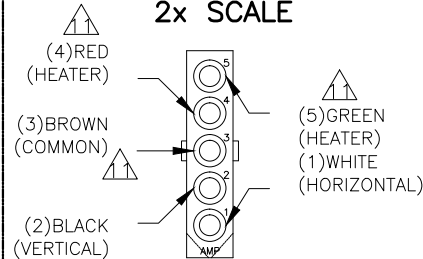
**VIEW A-A
2x SCALE**



**VIEW B-B
2x SCALE**



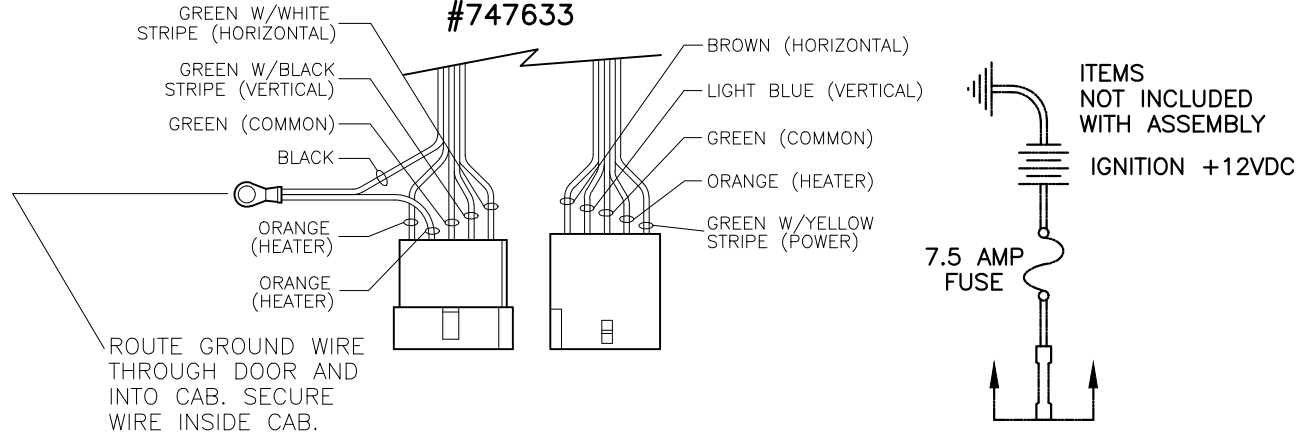
**VIEW C-C
2x SCALE**



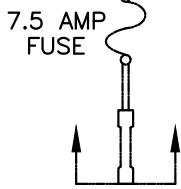
FUNCTIONAL REVISIONS:
ALL REVISIONS WITH SOLID
TRIANGLE ARE USABLE

REVISIONS
SEE PAGE 1

**WIRES FROM
SWITCH PLATE
#747633**

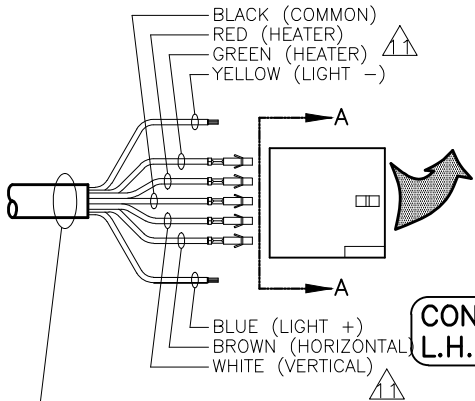


ITEMS
NOT INCLUDED
WITH ASSEMBLY
IGNITION +12VDC



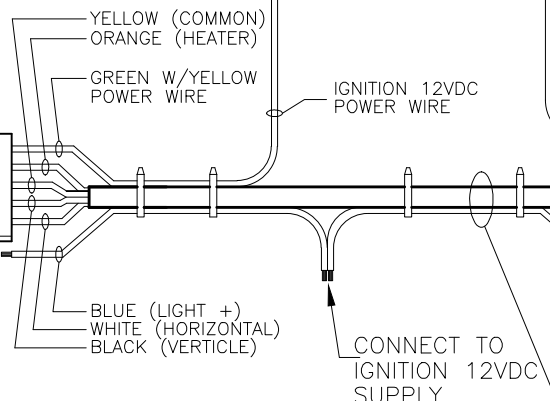
ROUTE GROUND WIRE
THROUGH DOOR AND
INTO CAB. SECURE
WIRE INSIDE CAB.

ROUTE GROUND WIRE THROUGH
DOOR AND INTO CAB. SECURE
WIRE INSIDE CAB.

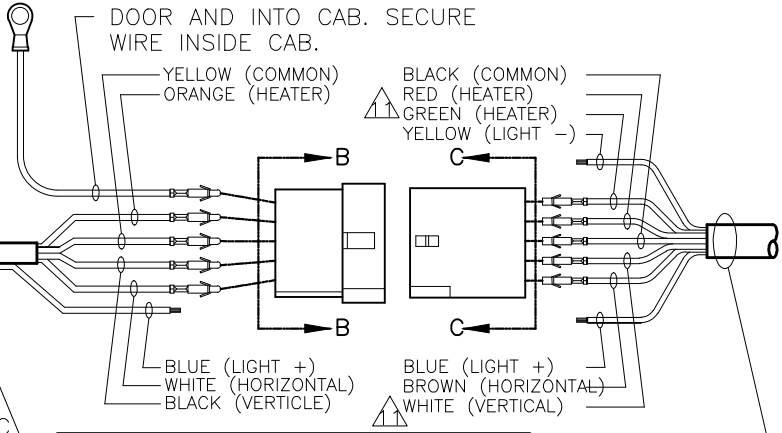


WIRE FROM L.H.
MIRROR HEAD
HEATED/REMOTE

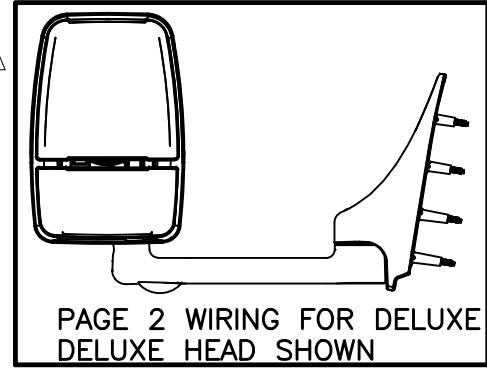
CONNECTION INSIDE
L.H. COVER PLATE



CONNECT TO
IGNITION 12VDC
SUPPLY
DOOR TO DOOR
WIRE HARNESS
#748304

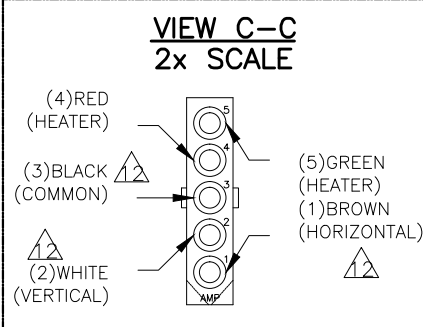
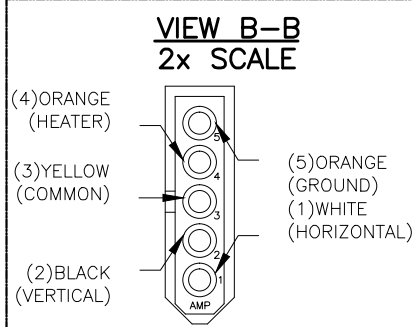
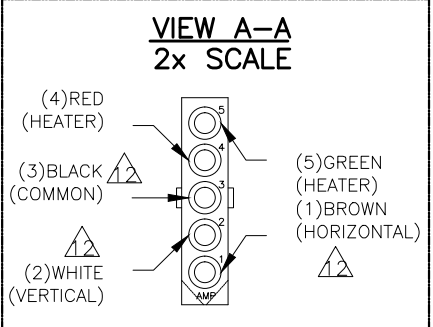


WIRE FROM R.H.
MIRROR HEAD
HEATED/REMOTE



PAGE 2 WIRING FOR DELUXE
DELUXE HEAD SHOWN

PROPRIETARY
THIS CONCEPT & DRAWING IS THE
PROPERTY OF VELVAC, INC. AND
SHALL NOT BE REPRODUCED,
COPIED, DISCLOSED, USED FOR THE
MANUFACTURE OR PROCUREMENT
FROM SOURCES OTHER THAN VELVAC
INC., WITHOUT WRITTEN PERMISSION
FROM VELVAC INC.



SCALE: X X X
DATE: 04-09-99

DRAWN BY: J.S.

WIRING INSTRUCTIONS
2020 MIRROR ASSY'S
FORD SUPER DUTY

DRAWING NUMBER: PAGE 2 OF 2
7476332