
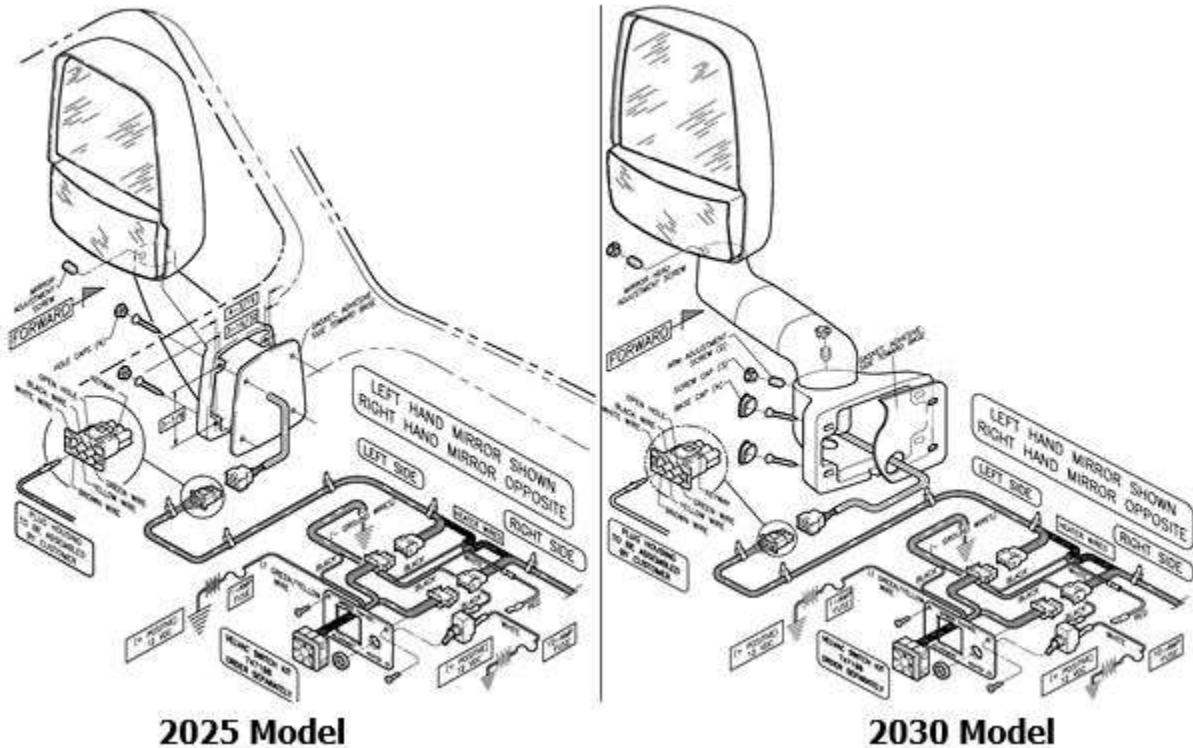


Class A New Mirror Information

Congratulations! On your purchase of a top of the line  **VELVAC** product. This document contains pages of installation instructions for your Velvac mirrors. If owner's manuals or service parts are necessary please see the last page of this document.

Mounting Instructions for Models 2025, 2030 **VELVAC** Mirrors



Read all Instructions First Before Installing Mirror Assembly

Note: Instructions are typical for both left and right sides

1. Mirror head is turned inward for shipment. Loosen set screws on arm and base with 3/16" hex wrench and rotate mirror head and pivot arm to approximate position for viewing. Retighten set screws.
2. 2025-locate mirror assembly below side window and as far forward as possible while checking for proper vision from driver's seat
2030-With driver in driver's seat and viewing thru windshield locate mirror assembly as far forward as possible while checking for proper vision.
Both: Be sure that mounting location will support mirror. Inner frame supports or reinforced area is recommended. Check interior wall to be sure mounting location is suitable for thru hole (1-1/4" DIA.) for electrical wires.
3. After proper location for mirror assembly has been established, mark mounting hole location by using mounting base as template being sure that sides of the base are vertical.
4. Take mounting base gasket (included) and place on mounting holes previously marked and locate center of large hole and mark. Drill a 1-1/4" (MIN.) hole for wire cable being sure there are no sharp edges.
5. Remove protective paper cover from the mounting gasket and install the mounting gasket with the adhesive side toward the base.
6. Feed the wire harness thru the hole and mount the mirror to the side of the vehicle with appropriate fasteners to support the assembly.

Mirror adjustment

Loosen all set screws and with driver in driver's seat rotate the mirror head, and arm if 2030, to approximate viewing position. Tighten set screws and install screw cap covers (included). The 2025 does not have a set screw cap cover. For fine adjustment of mirror glass use the remote control switch on the dashboard.

Mounting Instructions for 2030 Bus Mirror with Chrome Base Cover

VELVAC[™] Mirrors

Read All Instructions First Before Installing Mirror Assembly

Note: Instructions are typical for both left and right sides. The mirror head is turned inward for shipment. Loosen set screws with hex wrench provided and rotate mirror head and pivot arm to approximate position for viewing. Retighten set screws.

- ✓ Be sure the mounting location will support mirror assembly. Inner frame support or reinforced area is recommended.
- ✓ After proper location for the mirror assembly has been established, mark mounting hole locations by using mounting base as template being sure that sides of the base are vertical.
- ✓ Take mounting base gasket (included) and place mounting holes previously marked and locate center of large hole and mark. Drill a 1-1/4" (min.) hole for wire cable, making sure there are no sharp edges.
- ✓ Mount the mirror assembly using 5/16" flat head screws or bolts. (1/4" min. (not included) drill appropriate size pilot holes.

1. Attach the gasket to the base. Then attach the base to the motor home.
2. If applicable, route the switch wire harness through the motor home and the base as shown.



3. Install the chrome cover over the base.



4. Connect the wire harness from the mirror arm with the wire harness from the mirror base. Pull the excess wire inside of the motor home

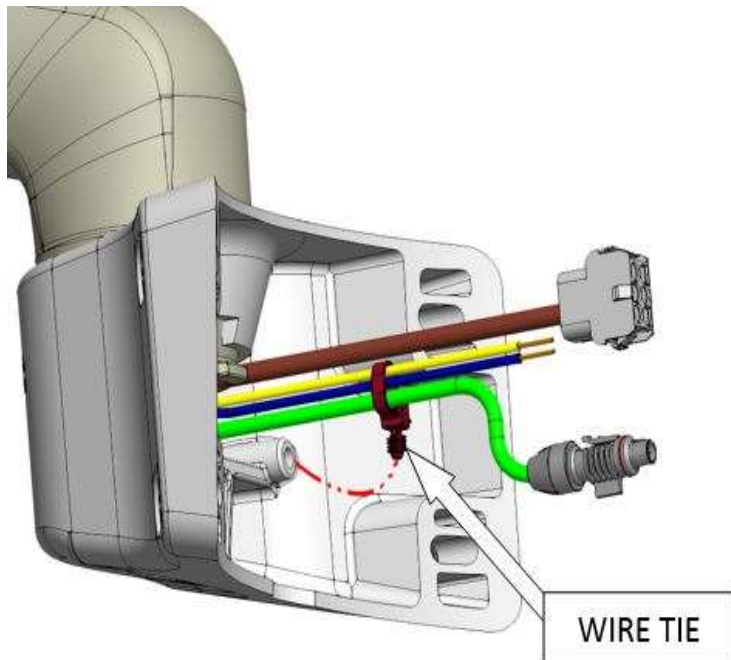


6. After positioning the mirror head and arm for proper viewing, tighten the mirror into place using the bolt provided as shown. Torque to 225 lbs/in.



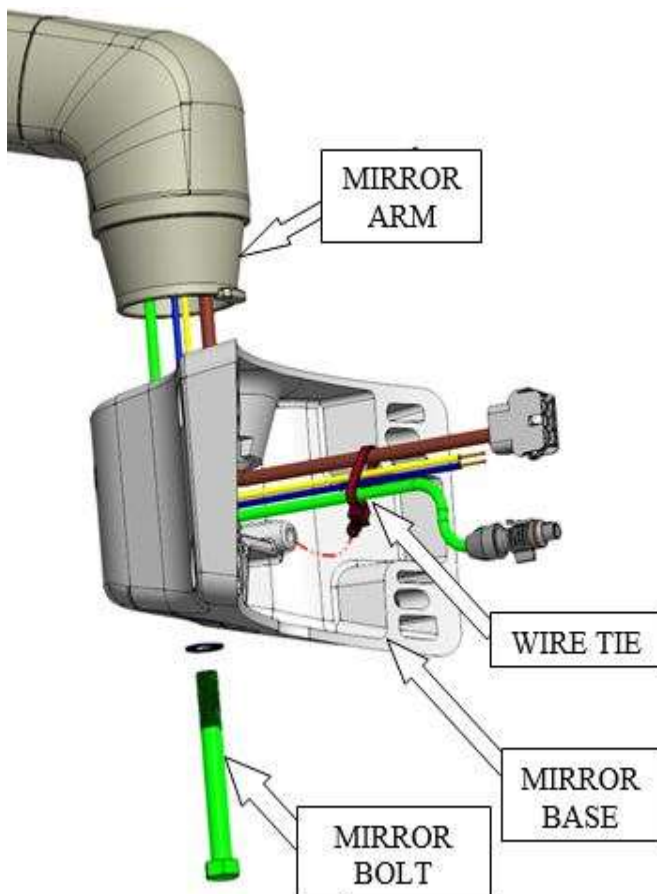
7. Snap the cap into the bottom of the chrome base.





VELVAC ASSEMBLED MIRROR BASE

Velvac installed wire tie as shown above. Mount mirror base to vehicle per instructions on Page #1.



CUSTOMER ASSEMBLED MIRROR BASE

Follow this step if you attach the mirror base to the mirror arm before you mount onto the vehicle

1. Loosely attach the base to the arm.
2. Wrap the wire tie around the wires as shown and snap wire tie into the mirror base.
3. Mount the mirror base to the vehicle per instructions on Page #1.

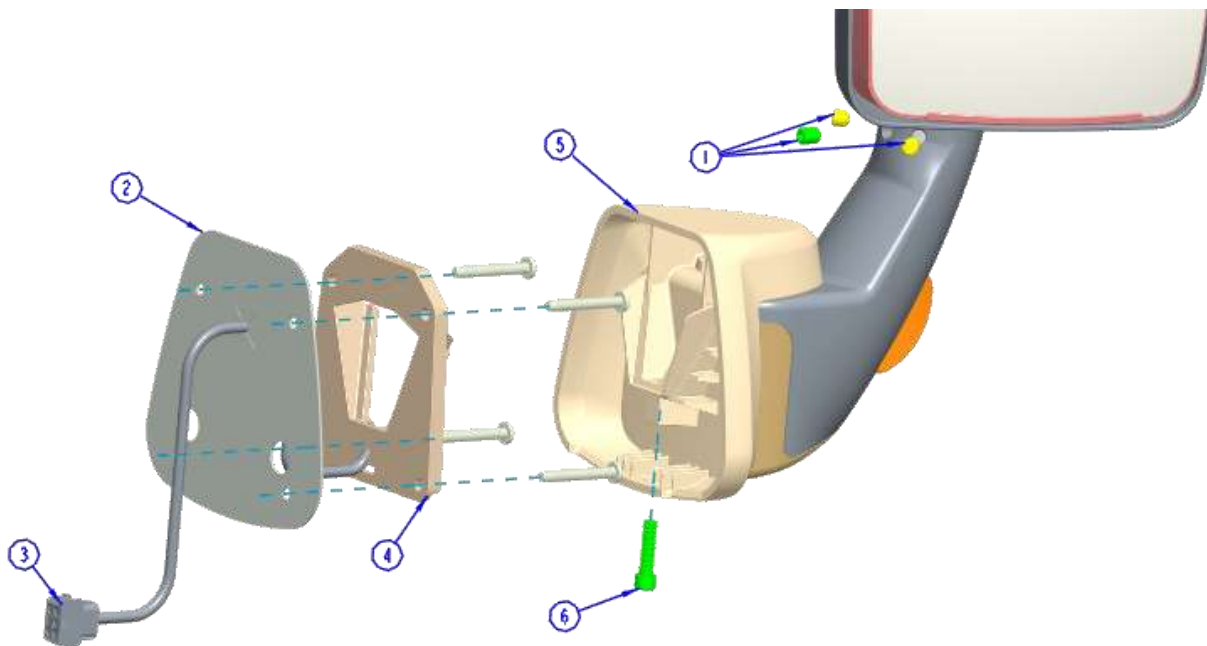
Follow this step if you attach the mirror base to the vehicle first

1. Mount the mirror base to the vehicle.
2. Wrap the wire tie around the camera wire, gray jacket cable and all light wires (if available).
3. Attach the mirror arm to the mirror base per instructions on Page #1.

**Read All Instructions First Before Installing Mirror Assembly
Refer to the drawing below**

Note: Instructions are typical for both left and right sides.

1. Rotate mirror head to the approximate viewing position by loosening the adjustment set screws (#1) on the arm with a 3/16" hex wrench. Loosen only enough to rotate the mirror head.
2. Locate mirror assembly below side window and as far forward as possible checking for proper vision from driver's seat. Be sure that mounting location will support mirror. Inner frame supports or reinforced area is recommended. Note: Check interior wall to be sure mounting location is suitable for (1-5/16") thru hole for electrical plug (#3).
3. Mark location for mounting holes by using gasket (#2) as template.
4. Using 1/4" minimum size screws (not included) drill appropriate size screw holes. Be sure to use only flat or pan head screws.
5. Drill 1-5/16" minimum hole for wire cable (#3). Be sure there are no sharp edges.
6. Peel off adhesive backing of gasket (#2) lining up with holes and firmly press against side wall of vehicle.
7. Mount bracket (#4) against gasket (#2) being sure mounting holes are lined up and bracket is in vertical position before tightening screws.
8. With the mirror assembly in hand feed wire harness thru slotted hole in gasket. To mount base casting (#5) on mounting bracket (#4), vertically slide down base on to bracket with slight pressure until fully seated.
9. Insert mounting screws (#6) into thru hole at bottom of base rotating screw until contact is made with threads inside of base. Shift assembly back and forth slightly if necessary to line up with threaded hole. Tighten to 60/70 in-lbs.
10. With driver in driver's seat rotate mirror head to the approximate viewing position and tighten the set screws (#1) in base with 3/16" hex wrench to 75/95 in-lbs. For fine adjustment of the mirror glass use the remote control switch.





Accessing Additional Information On-Line

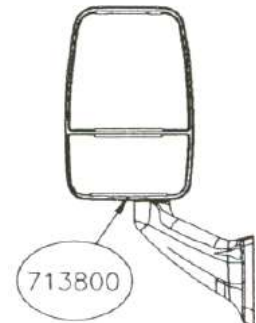
Additional information can be accessed on the Velvac web site: <http://www.velvac.com/>
The technical documents section can be accessed directly by entering <http://www.velvac.com/resources> into your address box.

Accessing Owners Manuals

The Velvac web site contains the owner's manuals for your mirrors. They are easily accessible at the end of the Technical Documents section, <http://www.velvac.com/resources> listed by Model of mirror. **They include adjustment, maintenance and replacement parts information.**

Replacement Parts Online

Part numbers for mirrors produced after calendar year 2000 are identified by a small service parts sticker placed on the bottom of the mirror shell or lower convex mirror housing. The correct part number will be 6 or 7 digits long and is different for each side. For placement assistance see the drawing on the right. From the Velvac RV web site, <http://www.velvac.com/vehicle-segments/motorhome-rv>, enter the part number in the search box. You will be directed to a page with the part number and a brief description. Click on the **More Information** tab to access a more detailed page with a picture of the assembled part shown and coach applications. Clicking on the **Service Parts** tab will take you to a page with all the service parts available with descriptions for your particular assembly.



Help!

If you need assistance in obtaining installation instructions, owner's manuals, and replacement parts or have questions or comments please contact us at:
Technical Support email: technicalservice@velvac.com
Phone: 1-800-783-8871 Monday – Friday 7:00am – 4:00pm central time
Fax: 1-262-786-4101

Visit our web site for new products and upgrades to your current Velvac mirrors!



www.Velvac.com

**2405 South Calhoun Road
New Berlin, WI 53151**