

Tools required: Small flat head screw driver, Socket driver, 10mm & 13mm deep well sockets, torque wrench, car trim removal tools
NOTE: Read all instructions before proceeding. Images shown are for passenger side, but instructions apply the same for driver side.

Removing OE Mirror:



STEP 1

STEP 2-4

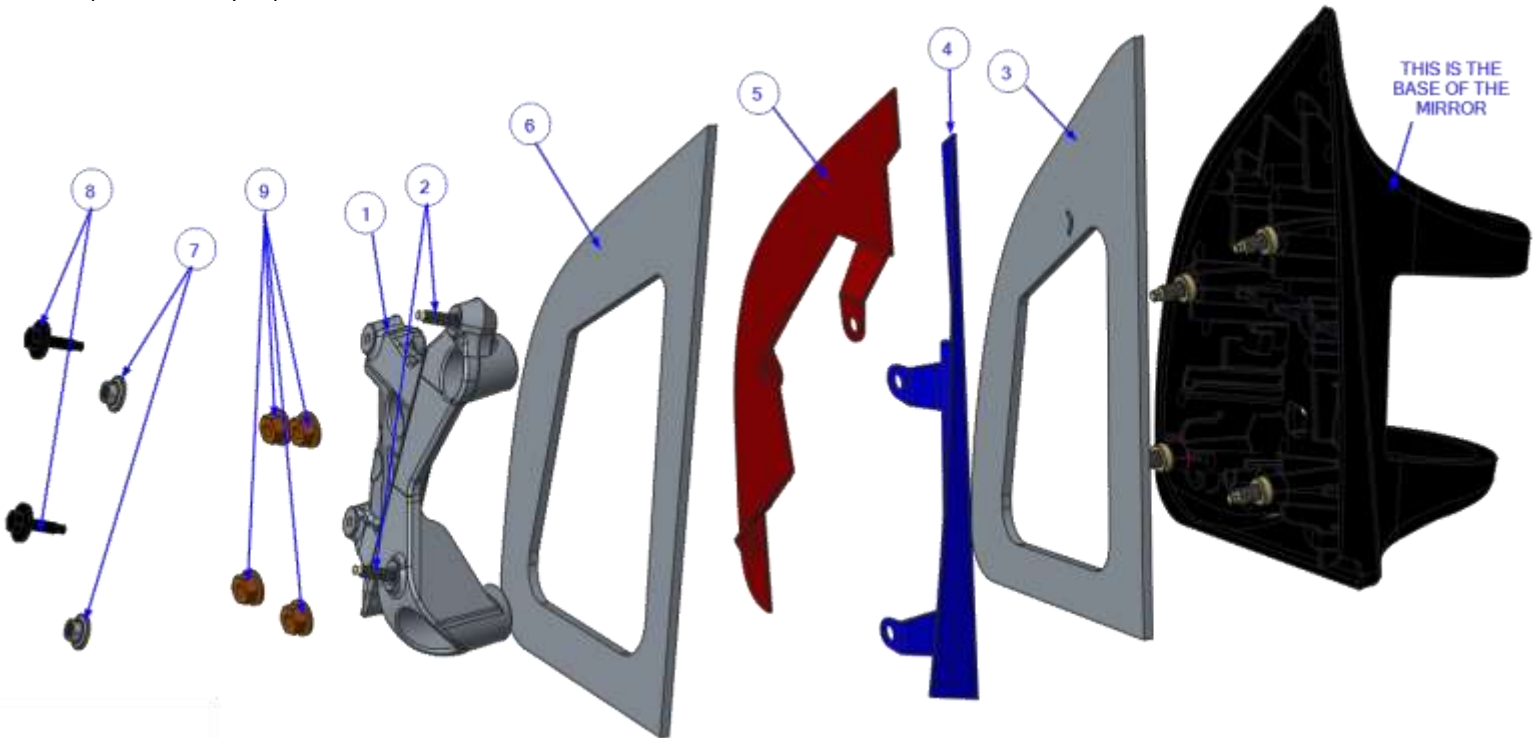
STEP 5

1. Pull/pry off interior cosmetic sail cover
2. If applicable, unplug wire harness and remove cable retainer from lower rear stud
3. Using 10mm socket, remove (2) hex nuts from rear studs
4. Using 10mm socket, remove (2) hex head screws from hinge area
5. From exterior side, pull mirror straight out to remove from door.
NOTE: Mirror is held to door by spring clip, and takes some force to remove
6. Acquire and unbox Velvac mirror

RIGHT HAND MIRROR AND ADAPTER SHOWN.
 LEFT HAND IS SYMETRICALLY OPPOSITE.

Adapter Kit Installation Instructions:

Adapter assembly exploded view:

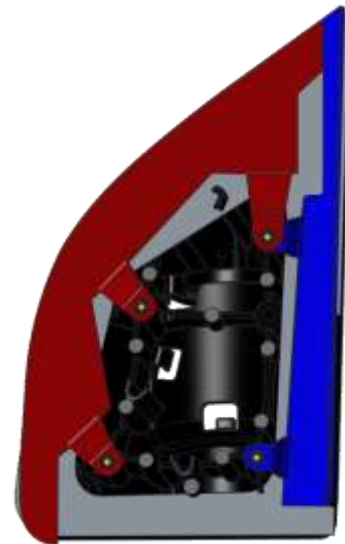




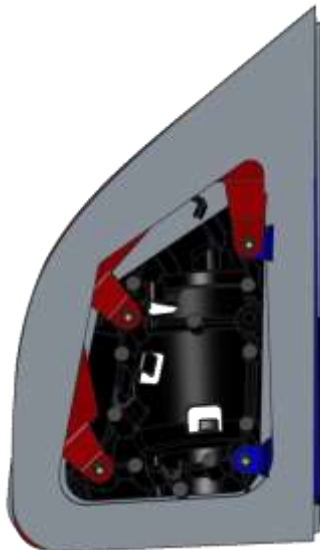
STEP 1



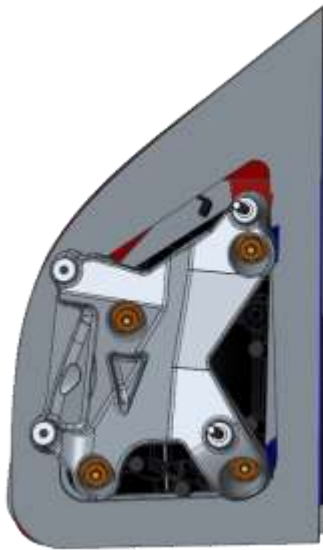
STEP 2



STEP 3



STEP 4



STEP 5-7



INSTALLED

1. Place GASKET WITH "L" CUTOUT [Item #3] onto mirror base, using the "L" shaped cutout to locate onto the base
2. Place SHEET METAL TRIM PART 1 [Item #4] over (2) rear studs
3. Place SHEET METAL TRIM PART 2 [Item #5] over forward (2) studs and (1) top rear stud
4. Place GASKET W/OUT "L" CUTOUT [Item #6] onto assembled SHEET METAL TRIM PIECES [Items #4 and #5]
5. ADAPTER PLATE AND MOUNTING STUDS [Items #1 and #2] are preassembled to each other – place this assembly over mounting studs on Velvac mirror
6. Loosely install (4) 8MM NUTS [Item #9] from to fasten all adapter items to Velvac mirror
7. Adjust gaskets to suit, then tighten the (4) nuts to 75-100in-lbs, using 13mm socket and torque wrench

Item #	Qty	Description
1	1	ADAPTER PLATE
2	2	MOUNTING STUD
NOTE: ITEMS 1 & 2 COME ASSEMBLED TOGETHER		
3	1	GASKET WITH "L" CUTOUT
4	1	SHEET METAL TRIM, PART 1
5	1	SHEET METAL TRIM, PART 2
6	1	GASKET W/OUT "L" CUTOUT
7	2	6MM NUT WITH WASHER
8	2	HEX HEAD SCREW
9	4	8MM NUT

NOTE: (2) people are recommended for steps 8-12

8. Feed wire harness of mirror through slot in door, then put mirror with installed adapter onto vehicle
9. Make sure gaskets are adjusted to fill any gaps
10. While one person holds the mirror in place, second person hand tighten (2) 6MM NUT WITH WASHER [Item #8] onto mounting studs from interior
11. Hand tighten (2) HEX HEAD SCREWS [Item #8] to adapter through screw holes in hinge area
12. Torque (2) 6MM NUT WITH WASHER [Item #7] and then (2) HEX HEAD SCREW [Item #8] to 75-100in-lbs

Take care to not pinch wire harness!

Adding power wire for remote mirror

1. Remove the circled screws to remove the door panel



REMOVE PLASTIC COVER



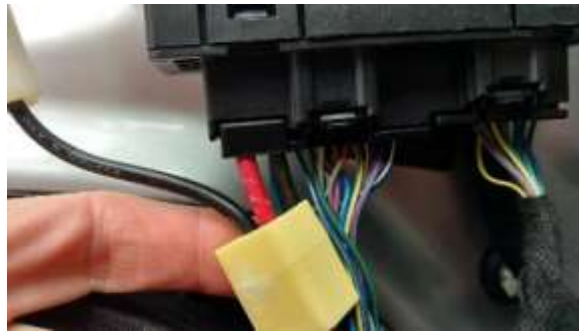
REMOVE PLASTIC COVER



2. DISCONNECT VEHICLE BATTERY BEFORE PROCEEDING TO NEXT STEPS

3. A t-tap or other method can be used to tap into the 10GA wire with the provided 20GA wire

NOTE: 10GA wire on DCM is red on driver side, yellow & red on passenger side



4. Route the wire up to the door-side mirror connector
5. Remove the red retainer from door-side mirror connector
6. Insert power wire terminal into position 21 on the connector



7. Reinstall red retainer
8. Connect wire harness connectors
9. Reconnect battery
10. Check to confirm mirror functions appropriately
11. Reinstall door panel
12. Conceal wire harness connector behind cosmetic sail cover
13. Reinstall cosmetic sail cover
14. Check to confirm mirror still functions appropriately